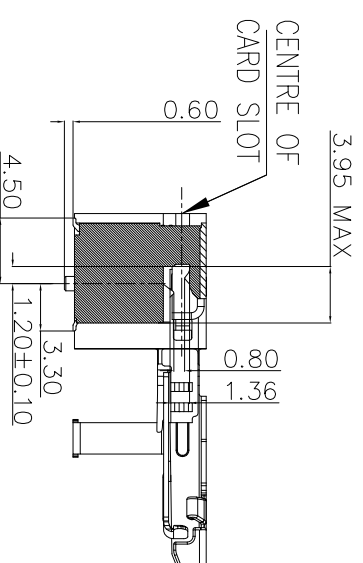
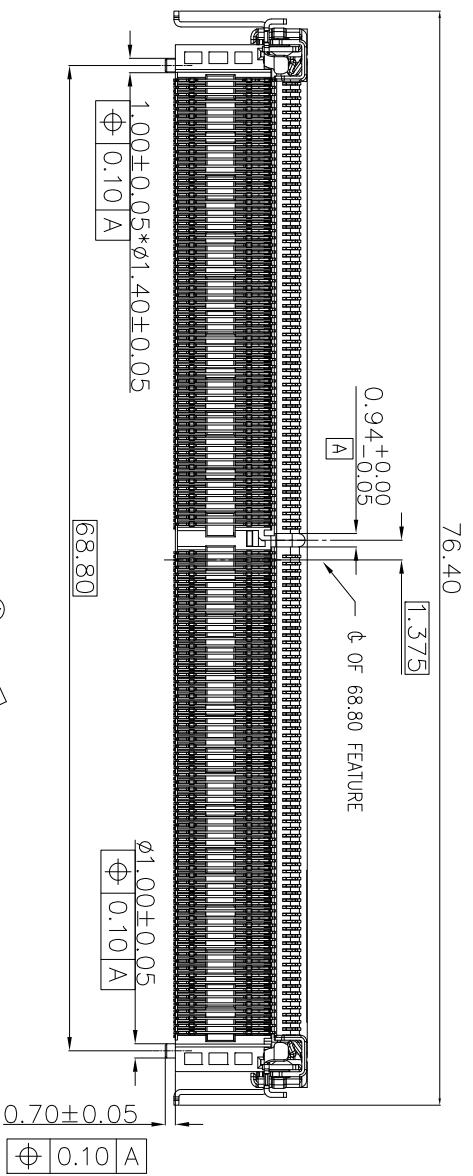


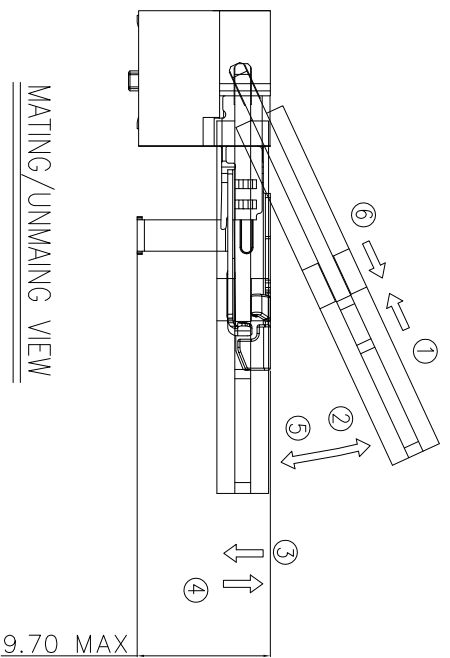
- NOTES:
- 1.FINISH:
 - 1.1 CONTACT:50U" MIN NICKEL UNDERPLATED ALL OVER.
GOLD FALSH PLATING ON SOLDERAIL.
GOLD PLATING (THICKNESS SEE P/N)NO CONTACT AREA.
 - 1.2 SOLDER PEG:
50U" MIN NICKEL UNDERPLATED ALL OVER.
100U" MIN MATTE TIN PLATING ENTIRE OVER.
 - 2.DATE CODE:YYMMDD.
YY:YEAR
MM:MONTH
DD:DAY
 - 3.RECOMMENDED STENCIL THICKNESS:0.12mm MIN



SECTION:A-A
SCALE 2:1

PART.NO.:
DDR008-S5401-**

- 08: 1U"
- 09: 3U"
- 10: 5U"
- 11: 10U"
- 12: 15U"
- 13: 30U"



MATING/UNMATING VIEW

MATING:① INSETTING(25) → ② ROTATING → ③ FIXED
UNMATING:④ INSETTING(25) → ⑤ ROTATING → ⑥ WITHDRAWING

NO	DESCRIPTION	QTY	MATERIAL	PLATING & COLOR
G	FIXED-B	1	SUS304 0.35T	
F	FIXED-A	1	SUS304 0.35T	Matt Tin plating All Over 120u"Min
E	LATCH-B	1	SUS304 0.35T	
D	LATCH-A	1	SUS304 0.35T	Clear
C	TERMINAL-B	131	C5210 0.15T	Contact area gold plating Solder
B	TERMINAL-A	131	C5210 0.15T	TAIL G/F Ni 50u"Min Underplate
A	HOUSING	1	LCP,UL94V-0	BLACK.
	DESCRIPTION	QTY	MATERIAL	PLATING & COLOR

GENERAL TOLERANCE DWG.NO. DDR008-S5401-**

PART.NO. DDR008-S5401-**

DRAWN DU 2023-06-06

UNIT mm SCALE ND SCALE

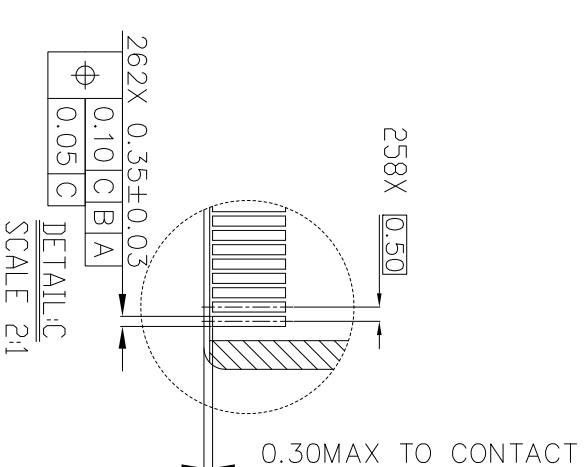
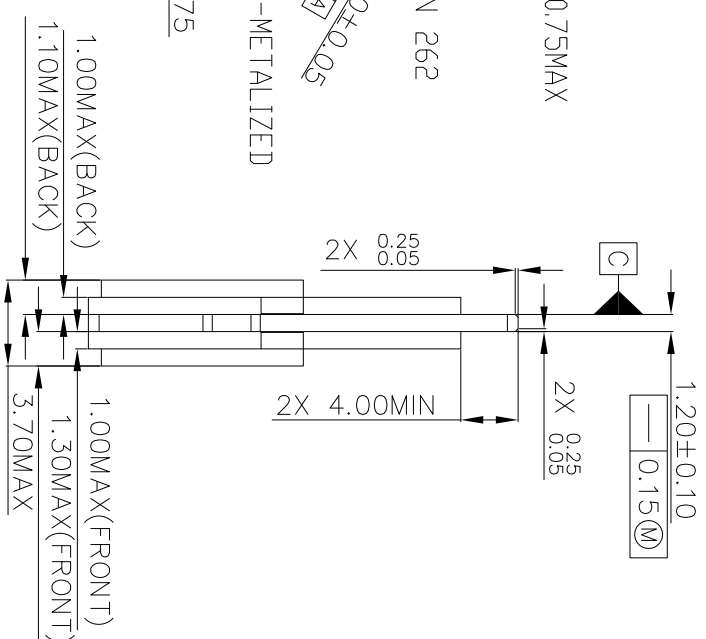
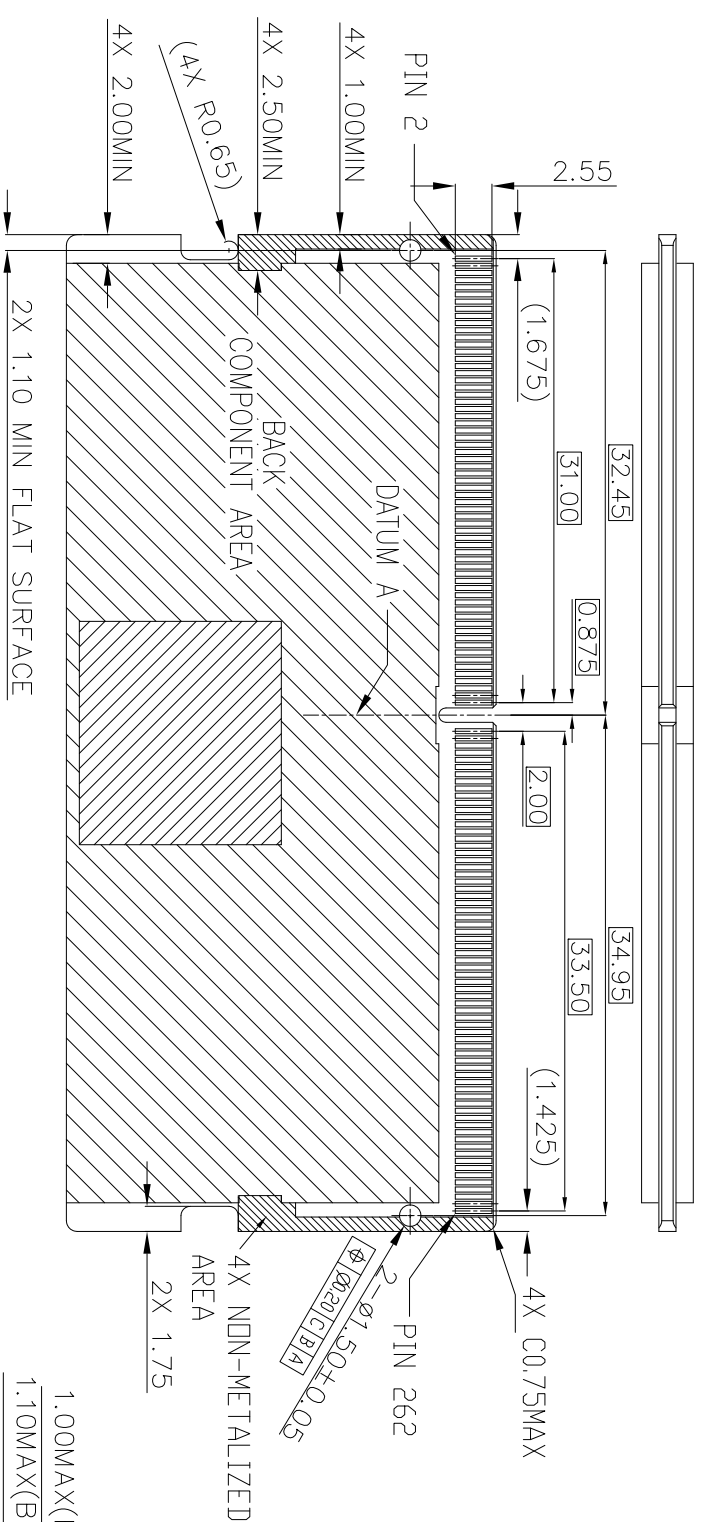
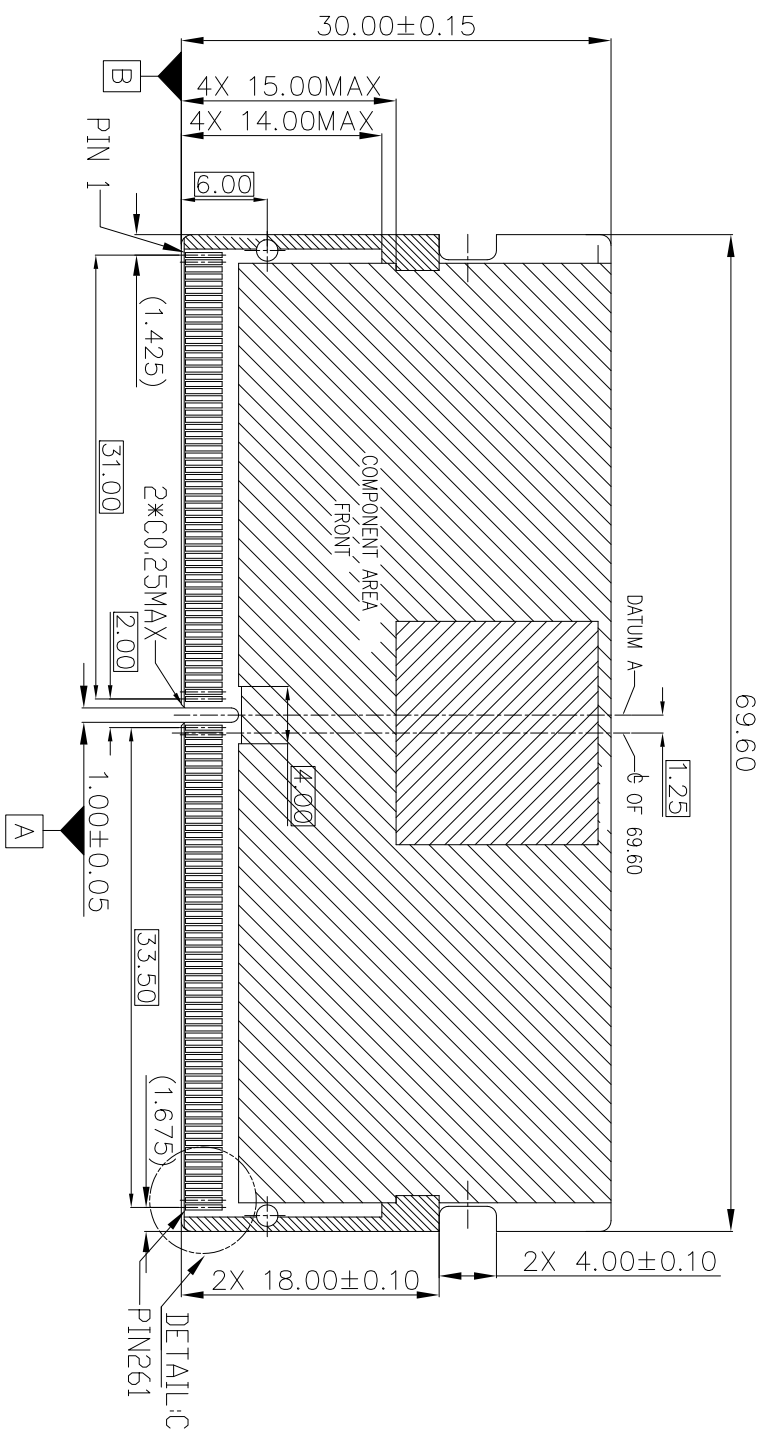
X.±0.50 X.±5° REV. SIZE A4

TITLE DDR5 S0 DIMM 262Pin(RVS) H9.2 SHEET 1 OF 4

CHECKED APPROVED

东莞市欧联电子科技有限公司
DONGGUAN OLN ELECTRONICS TECHNOLOGY CO., LTD.

REV.	ECH.N.O.	MODIFY CONTENT
A		NEW
B	N23060601	CHANGE LATCH AND FIXED

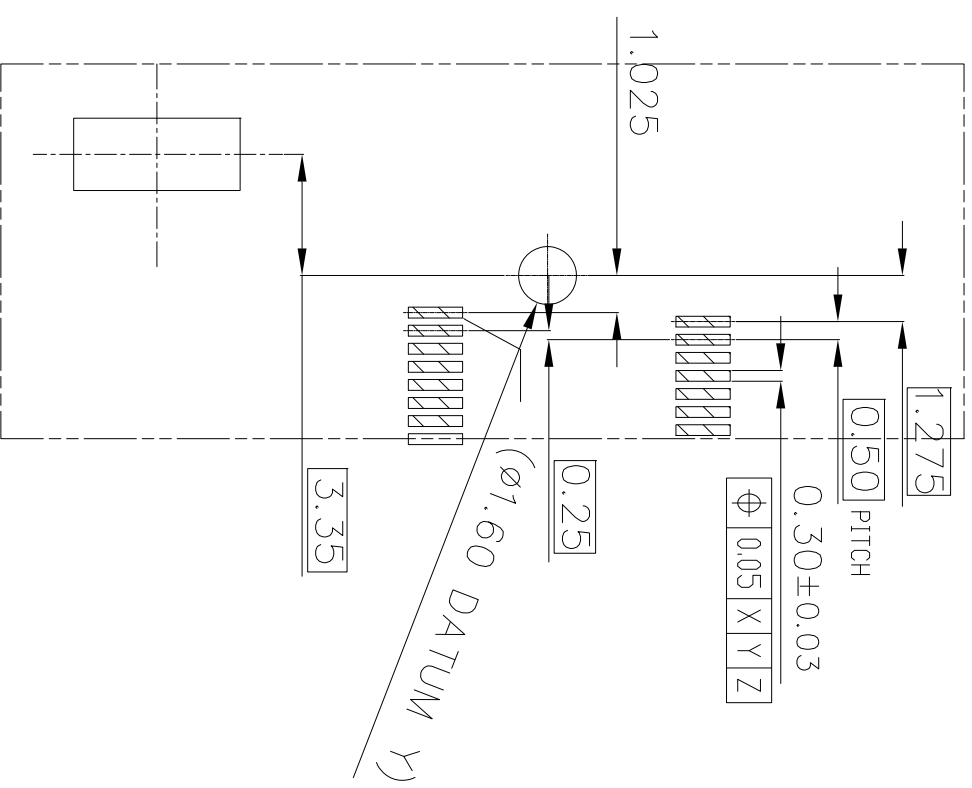
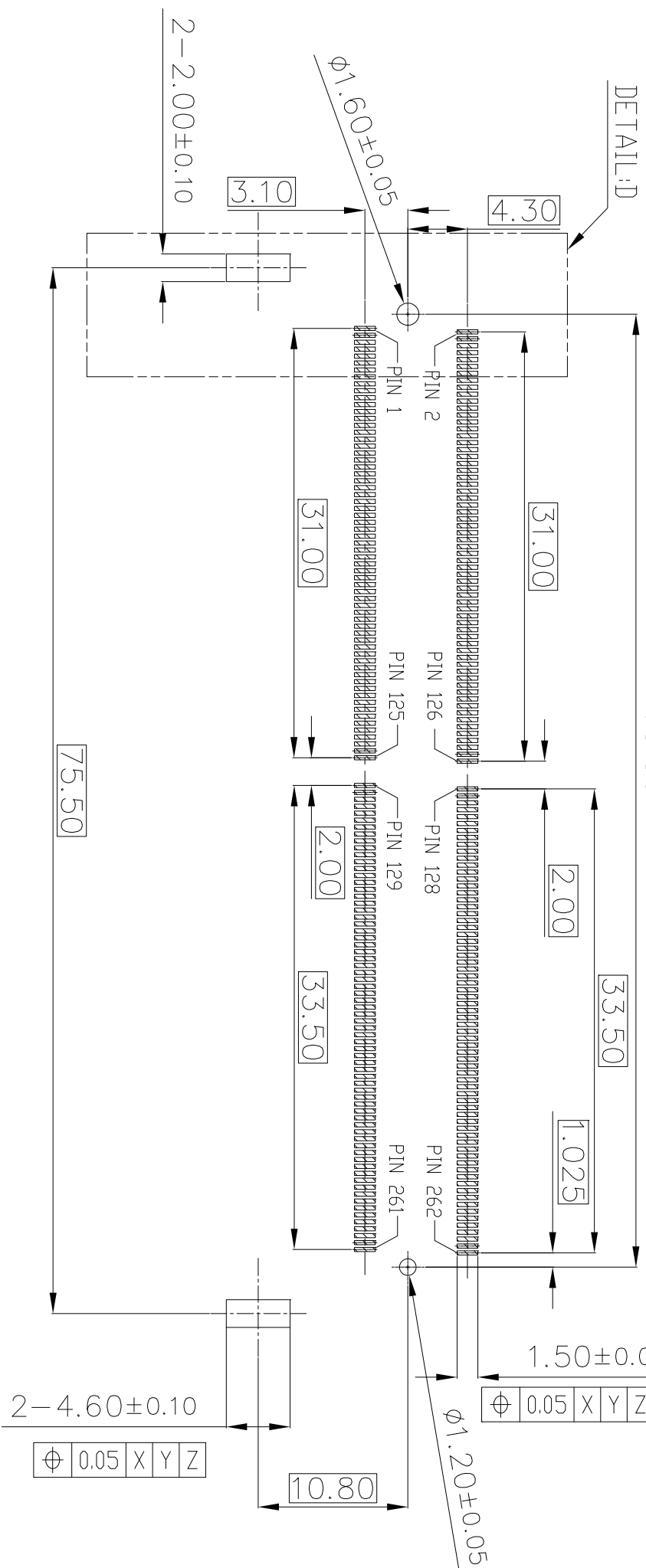


- NOTES:
- 1.DIMENSIONING AND TOLERANCING PER ASME Y14.5-2009.
 2. TOLERANCES ON ALL DIMENSIONS 0.15 UNLESS OTHERWISE SPECIFIED.
 - 3.ALL DIMENSIONS ARE MM.
 - 4.RECOMMENDED PLATING FOR CONTACT PADS ARE:
 - 1) VARIATION xxAX: GOLD PLATING 0.76 MICROMETERS MINIMUM OVER 2.00 MICROMETERS MINIMUM NICKEL.
 - 2) VARIATION xxBx: GOLD PLATING 0.05 MICROMETERS MINIMUM OVER 0.25 MICROMETERS MINIMUM PALLADIUM OVER 2.00 MICROMETERS MINIMUM NICKEL
 - 3) VARIATION xxCx: GOLD PLATING 0.05 MICROMETERS MINIMUM OVER 2.00 MICROMETERS MINIMUM NICKEL.
- MODULE PLATING RECOMMENDATIONS TESTED PER INDUSTRY STANDARD EIA 364-1000. RELIABILITY TESTING REQUIRES TEST MODULE,CONNECTOR, AND IDENTIFICATION OF TEST CONDITIONS.

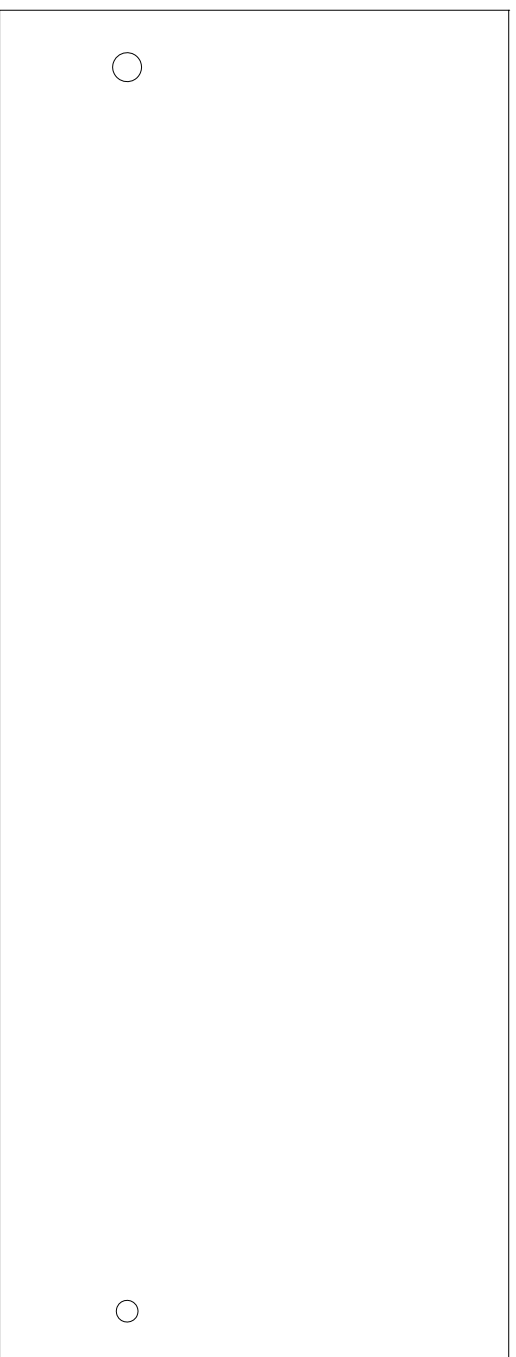
GENERAL	TOLERANCE	DWG.NO.	DDR008-SS401-**	PART.NO.	DDR008-SS401-**	DRAWN	DU 2023-06-06	UNIT	mm	SCALE	ND SCALE
---------	-----------	---------	-----------------	----------	-----------------	-------	---------------	------	----	-------	----------

X.±0.50	X.± 5°	REV.	B	TITLE	DDRS S0 DIMM 262Pin(RVS) H9.2	CHECKED			mm	SCALE	ND SCALE
.X±0.25	.X.± 2°	SIZE	A4	SHEET	2 OF 4	APPROVED					
.xx±0.15	.xx± 1°										

68.80±0.05



DETAIL: D
SCALE 2:1



RECOMMEND PCB LAYOUT

THE TOLERANCE UNLESS SPECIFIED IS ±0.05 MM

 Solder pad area

GENERAL TOLERANCE DWG.NO. DDR008-SS401-**

PART.NO. DDR008-SS401-**

DRAWN DU 2023-06-06

UNIT

mm

SCALE

ND SCALE

X.±0.50 X.±5°

REV.

B

TITLE

DDR5 S0 DIMM 262Pin(RVS) H9.2

CHECKED

UNIT

mm

SCALE

ND SCALE

.X±0.25 .X°±2°

SIZE

A4

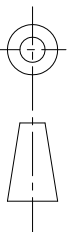
SHEET

3 OF 4

APPROVED

.XX±0.15 .XX±1°

REV.



SHEET

3 OF 4

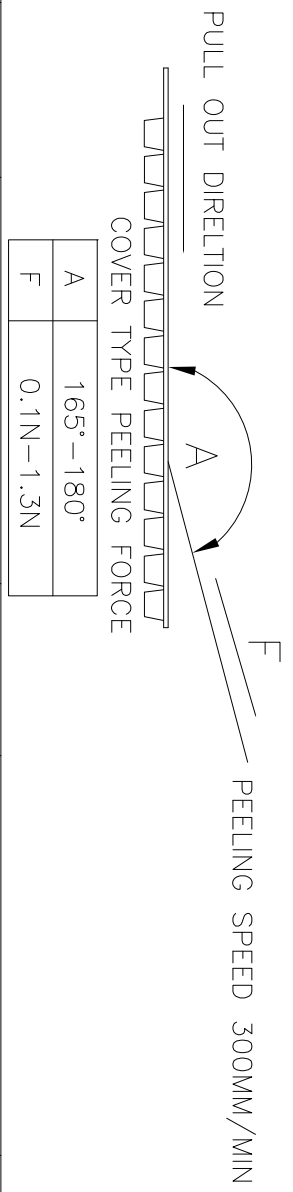
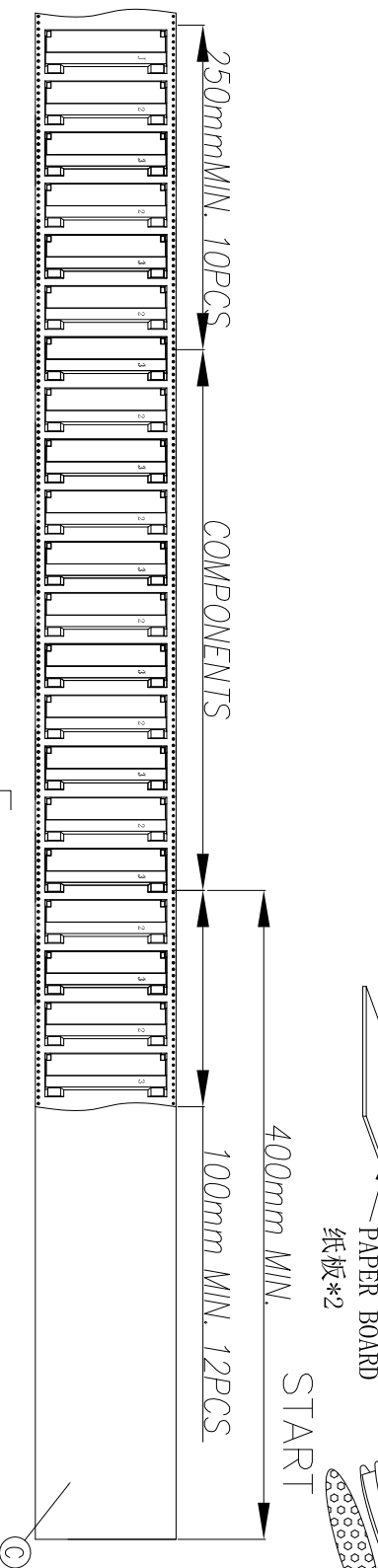
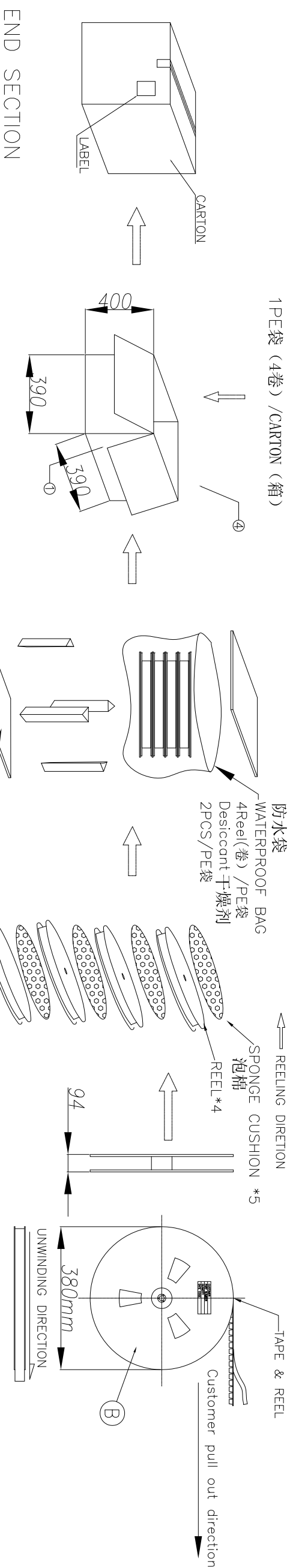
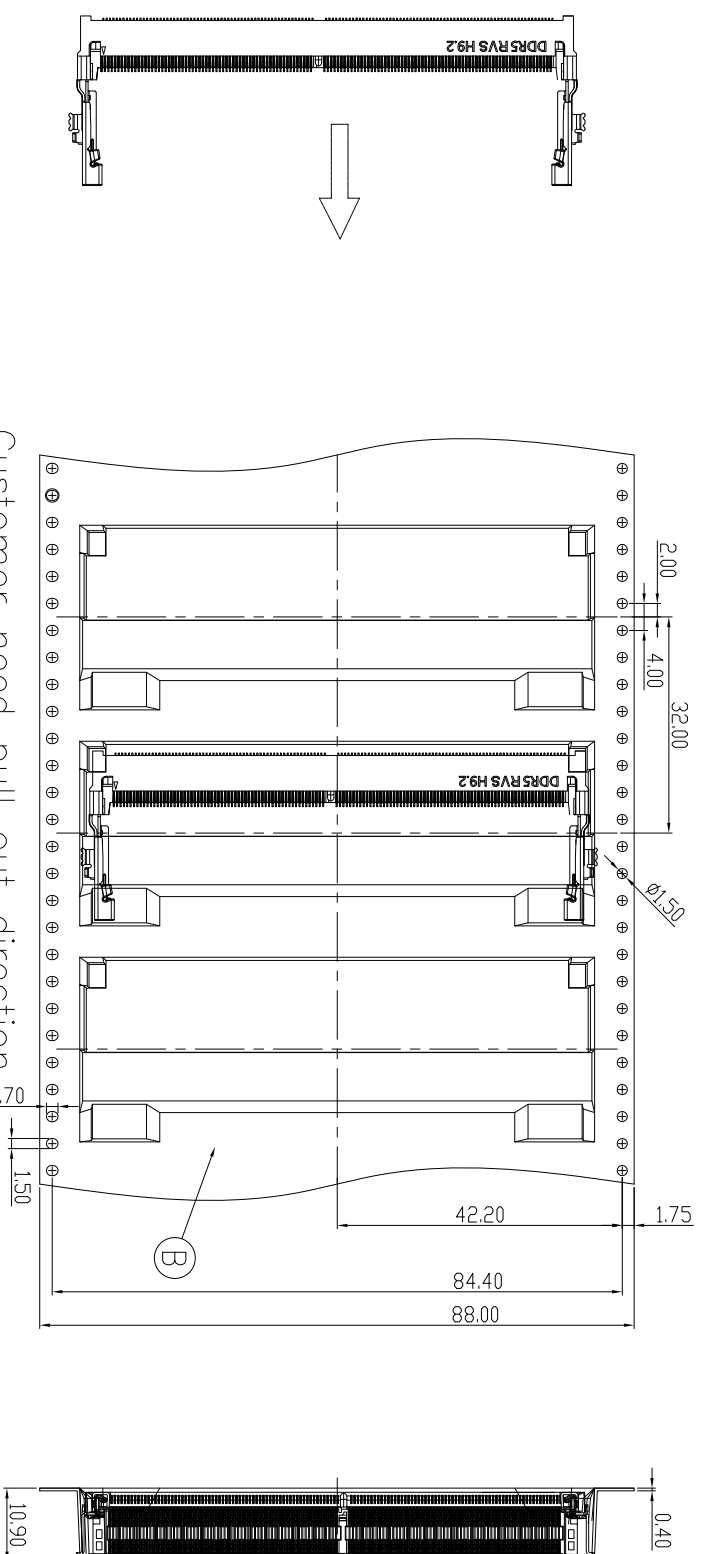
APPROVED



东莞市欧联电子科技有限公司
DONGGUAN OLN ELECTRONICS TECHNOLOGY CO., LTD.

REV.	ECN.NO.	MODIFY CONTENT
A		NEW
B	N23060601	CHANGE LATCH AND FIXED

REV.	ECN.NO.	MODIFY CONTENT
A		NEW
B	N23060601	CHANGE LATCH AND FIXED



A	165°-180°
F	0.1N-1.3N

NOTES:
 1.Quantity: 250PCS/Reel
 4 Reel/Carton: 1000 PCS/Carton
 2.Each plate needs vacuum packaging, and 2PCS desiccant is placed in the packaging bag

ITEM	MATERIAL	Q'TY	NOTE
⑤	WATERPROOF BAG	1	
④	SUPPORT BRACE	4	
③	REEL ASS'Y	4	
②	CARRIER TAPE	4	
①	CARTON	1	

GENERAL	TOLERANCE	DWG.NO.	DDR008-SS401-**	PART.NO.	DDR008-SS401-**	DRAWN	DU 2023-06-06	UNIT	mm	SCALE	ND SCALE
X.±0.50	X.± 5°	REV.		TITLE	DDR5 S0 DIMM 262Pin(RVS) H9.2	CHECKED					
.X±0.25	.X.± 2°	SIZE	A4	SHEET	4 DF 4	APPROVED					
.XX±0.15	.XX± 1°										

东莞市欧联电子科技有限公司
 DONGGUAN OLN ELECTRONICS TECHNOLOGY CO., LTD.